

## 1-component silicone sealant compound based on alkoxy, neutral cross-linking

For indoor application

### Characteristic:

- **Compatible with PVB sheets according to ift guideline DI-02/1**  
Suitable for processing VSG
- **Non-corrosive**  
No (oxidation) corrosion on unprotected metal surfaces
- **Low odour**  
Convenient processing
- **Low adhesion**  
Easy removability e.g. of the glass retaining strip
- **Good compatibility with paints according to DIN 52452 (not paintable)**  
No interaction with existing and adjacent coatings

### Fields of application:

- For sealing and back filling of frames and window bars on windows and doors - improves the leak tightness. The filling material has less adhesion in comparison to standard glazing sealants, so its easier to remove the window bars for repair works.
- Avoids accumulation of condensation through incoming warm air and thus protects against humidity affecting the edge sealing, which could lead to damages to the wooden window frame.
- For sealing on the window frame below the glass edge (position 4). Please avoid full surface contact with the isolation glass edge sealing in the rebate bond. Maximum 3 mm overlap is permissible.
- For compatibility to IG-edge sealing materials please see our recent compatibility list. The up-to-date list can be downloaded from our website [www.otto-chemie.com](http://www.otto-chemie.com).

### Standards and tests:

- French VOC-emission class A+
- Classification according to building certification systems, see the sustainability data sheet

### Important information:

OTTOSEAL® S 112 is only suitable for described application but **not suitable** for glass edge jointing or window glazing.

Before applying this product the user has to ensure that the materials in the area of contact (solid, liquid and gaseous) are compatible with it and also amongst each other and do not damage or alter (e. g. discolour) each other. As for the materials that will be used at a later stage in the surrounding area of the product the user has to clarify beforehand that the substances of content or evaporations do not lead to an impairment or alteration (e. g. discolouration) of the product. In case of doubt the user should consult the respective manufacturer of the material.

Avoid contact with materials which contain bitumen and which release solvents, e. g. butyl, EPDM, neoprene, insulating- and bituminous paint.

Paints, lacquers, plastics and any other coatings must be compatible to the adhesive/sealant.

Small quantities of alcohol are released during application.

Ensure good ventilation during application.

### Technical properties:

Processing temperature from/to [°C]

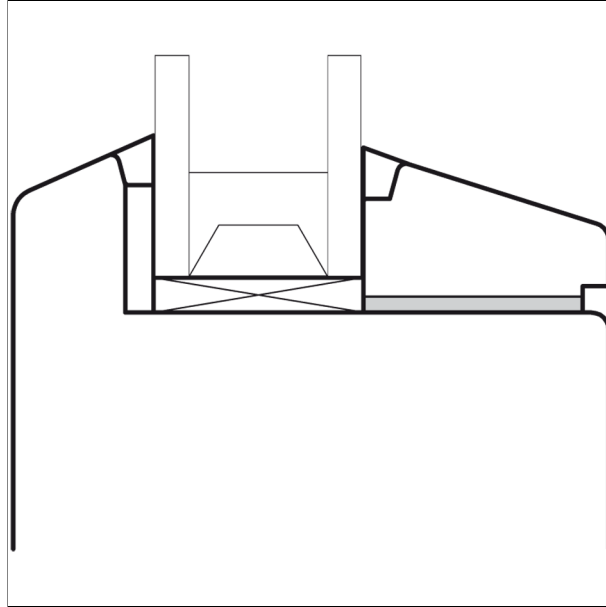
+ 5 / + 40

Viscosity at 23 °C	pasty, stable
Density at 23 °C according to ISO 1183-1 [g/cm <sup>3</sup> ]	~ 1,0
Shelf life at 23 °C/50 % RH for cartridge/foil bag [months]	9 (1)

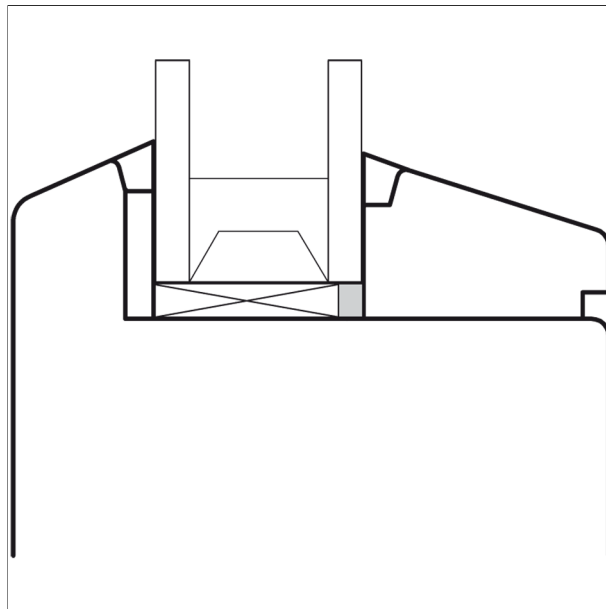
1) from date of manufacture

These data are not suitable for the issue of specifications. Please contact OTTO-CHEMIE before issuing specifications.

Application information:



Simplified model of a sealing between window frame and window bar



Simplified model of a sealing on the window frame behind the window bar (position 4)

Due to the many possible influences during and after application, the customer always has to carry out trials first.

Please observe the recommended shelf life which is printed on the packaging.

We recommend to store our products in unopened original packagings dry (< 60 % RH) at temperatures of +15 °C up to +25 °C. If the products are stored and / or transported at higher temperatures / air humidity for longer periods (some weeks), a diminution of durability or a change of material characteristics may arise.

Packaging:		310 ml cartridge	580 ml aluminium foil bag
	transparent	S112-04-C00	S112-08-C00
	<b>Packaging unit</b>	<b>20</b>	<b>20</b>
	<b>Pieces per pallet</b>	<b>1200</b>	<b>600</b>

**Safety precautions:** Please observe the material safety data sheet.  
After curing the product is completely odourless.

**Disposal:** Information about disposal: Please refer to the material safety data sheet.

**Warranty information:** All information in this publication is based on our current technical knowledge and experience. However, since conditions and methods of use and application of our products are beyond our control, we suggest that you test the product before final use. Information given in this technical data sheet and explanations of OTTO-CHEMIE in connection with this technical data sheet (e.g. service description, reference to DIN regulations etc.) is not to be seen as a warranty. Warranties require a separate written declaration of OTTO-CHEMIE to prove their validity. The characteristics stated in this data sheet define the characteristics of the article broadly and conclusively. Suggestions of use are not to be taken as confirmation of the appropriateness for the recommended intended use. We reserve the right to alter the product, adjusting it according to technical progress and new developments. We are at your disposal both for inquiries as well as specific application problems. If a governmental approval or clearance is necessary for the application of our products, the user is responsible for the obtainment of such. Our recommendations do not excuse the user from the obligation to take into consideration the possibility of infringement of third parties' rights and - if necessary - resolving it. For the rest our general terms and conditions apply, in particular regarding a possible liability for defects. You can find our general terms and conditions on our homepage: <http://www.otto-chemie.de/en/terms-and-conditions>